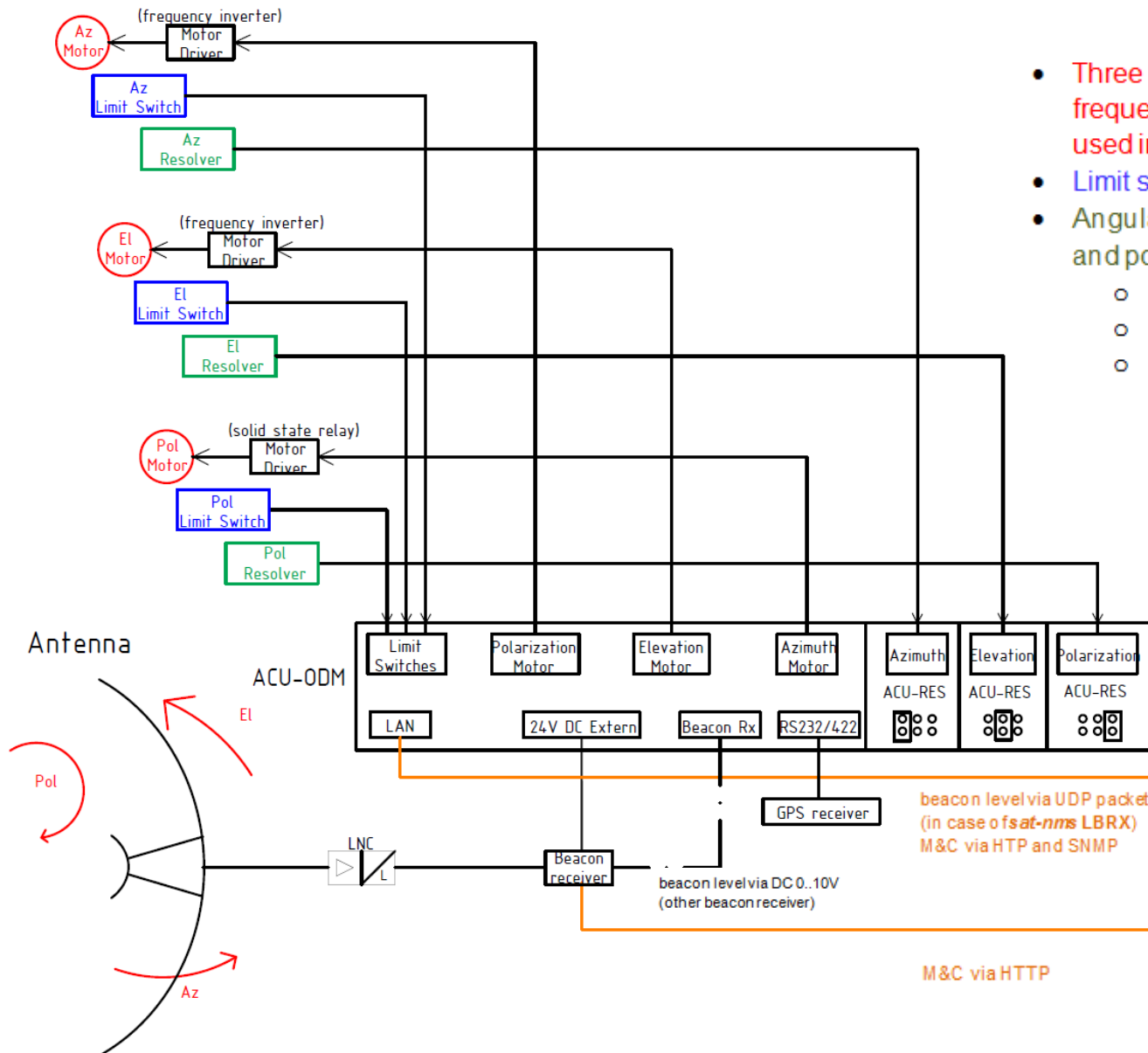


sat-nms Antenna Step Track System

- Three motor controllers, like DC servos or frequency inverters, which are commonly used in larger antennas.
- Limit switches, Interlock and Motor-Off switches
- Angular detectors which measure the azimuth, elevation and polarization angle.
 - Analog resolver, covering the existing antennas
 - Digital angle detectors with SSI interface
 - A/D interface to measure the voltage across a Precision potentiometer



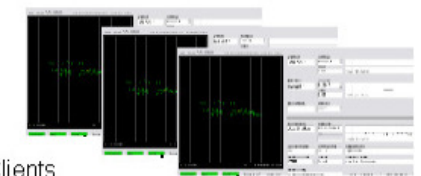
TCP/IP - Ethernet

sat-nms ACU-IDU



beacon level via UDP packets
(in case of sat-nms LBRX)
M&C via HTP and SNMP

sat-nms Clients



M&C via HTTP