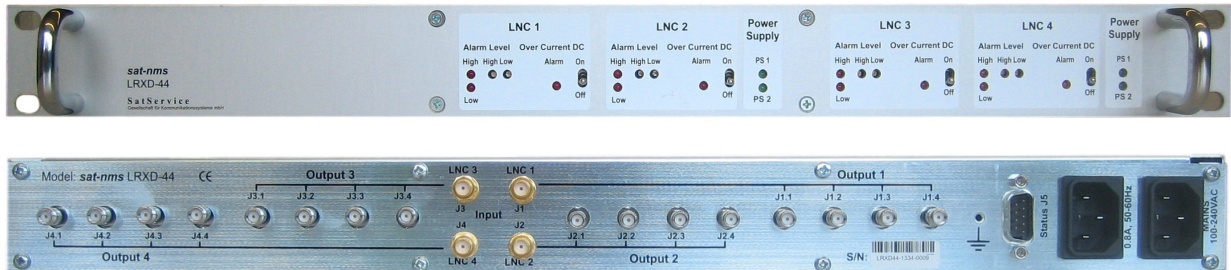


## sat-nms LRXD44 - LNC Power Supply / L-Band Distributor

The **sat-nms** LRXD44 provides the redundant supply voltage for 4 Low Noise Converters (LNC) and distributes the receive signals to four L-Band output ports that can be used in the satellite ground station or the cable head end. With 4 output ports, a lot of applications can be covered. If you need more output ports, consider the **sat-nms** LRXD28 models. The **sat-nms** LRXD44 is a compact 19"-based design with only one rack unit height. So it fits also in applications where no space is left anymore in the 19" rack.

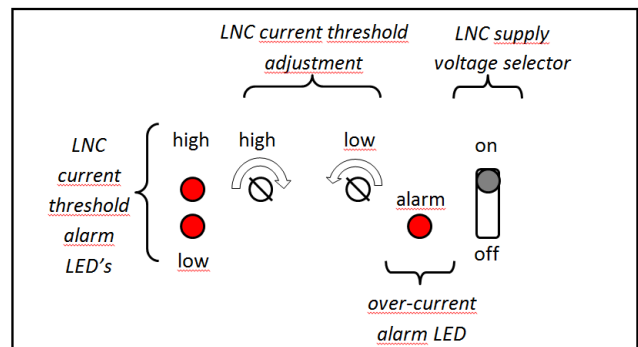


The technology is based on the successful **sat-nms** LRXD18 and **sat-nms** LRXD28 design. The signal distribution is realized with cascaded Wilkinson dividers that guarantee good frequency response and isolation between the different output ports. Internal L-Band amplifiers compensate the loss of the distribution circuit and provide gain compensation. The unit is normally assembled with 50Ohm SMA input- & output connectors, but can also be delivered with 75Ohm F output connectors as an option. 75 Ohm input connectors are realizable with an external convertor.

Each DC output port towards the LNC is electronically over-current protected, so no fuse in the LNC supply has to be exchanged in case of a short circuit within the L-Band cable.

The unit includes two power supplies with two independent mains voltage input connectors. Internal redundancy switchover between the two power supplies improves the availability of the unit.

As with the other **sat-nms** L-Band Distributors Monitoring & Control is available via relay contacts and provides as summary alarm the alarm information of the power supplies and LNC current min/max.



### Key Features

- 19" 1 RU compact Design
- 4 LNCs bias current Supply in one 19" Unit
- 4 L-Band Output Ports per LNC
- DC free/protected L-Band Outputs (no Damage by IRD LNC Supply Voltage)
- Redundant Power Supplies
- Electronic over-current Protection
- LNC current Monitoring
- High and low current Alarms at Front Panel
- Adjustable LNC current Alarm Threshold
- Relay Contact Outputs for all Alarms
- Alarms can be used for Redundancy Switching

### Applications

- In any Type of Satellite Ground Station
- SNG Stations and Teleports
- Cable head end Stations

### Contact Information

SatService  
 Gesellschaft für Kommunikationssysteme mbH

Hardstrasse 9,  
 D-78256 Steisslingen, Germany

Phone: +49 7738 99791 10

Fax: +49 7738 99791 99

E-Mail [sales@satservicegmbh.de](mailto:sales@satservicegmbh.de)

[www.satnms.com](http://www.satnms.com) [www.satservicegmbh.de](http://www.satservicegmbh.de)

## Technical Specification

### RF Specification

Frequency Range	950 to 2150MHz
Input Connectors	SMA female 50Ohm (4) only or 75Ohm via external Convertor
Input Return Loss	> 15dB
Input Noise Figure	<10dB
Damage Input Level	+13dBm
Absolute Gain from Input to Output for Standard Version	-0dB +/-1dB
Relative Gain Frequency Variation in Frequency Band	+/-1dB
Gain Frequency Characteristics in any 36MHz Band	+/-0.3dB
Group Delay in any 36MHz Band	< 4ns
Intermodulation with two -13dBm Input Signals each (Total Input Power -10dBm)	-40dBc
Output Connectors	SMA female 50Ohm (16) or F-Type 75Ohm as an Option
Output Return Loss	DC-blocked
Isolation between Outputs	> 15dB > 25dB

### LNC Remote Feed

LNC Supply Voltage, switchable / Maximum Current per LNC	15V / 500mA
Maximum Total Current for all 4 LNCs	1400mA

### Alarm Interface

Alarm Interface consists of:	DSUB9 Relay Contact
- Power Supply Alarm	7-8 open on Alarm 8-9 closed on Alarm
- LNC1, 2, 3 and 4 current Threshold Alarms Output,	LNC1: 1-5 open on Alarm LNC2: 2-5 open on Alarm LNC3: 3-5 open on Alarm LNC4: 4-5 open on Alarm
- Each Alarm Contact provides combined (logical OR) high and low Current Alarm	
Current high Threshold Adjustment Range	150..500mA
Current low Threshold Adjustment Range	50..500mA
Over-current (DC-switched off)	800mA

### Electrical and Mechanical Specification, Environmental Conditions

Supply Voltage	90 to 240V AC 50 to 60Hz
Connector for the two Mains Voltage AC Inputs	IEC
Power Consumption including LNC Supply	2x35VA
Temperature Range	5° to 50° C
Humidity	Up to 90% non-condensing
Mechanical Size	436 x 184x370 mm, 19" 1RU
Weight	5 kg

## Installation Instructions

- Switch LNC supply voltage on/off for LNCs with dip-switch on front panel
- Connect LNCs on J1, J2, J3 and/or J4
- Connect receivers to
  - J1.1 ... 1.4
  - J2.1 ... 2.4
  - J3.1 ... 3.4
  - J4.1 ... 4.4
- Connect Monitoring Status Connector J5 (for details see pin layout drawing)
- Connect 2x mains voltage

